

Flow

Preset Valves



Preset Valves provide an accurate and automatic control of a predetermined quantity of liquid to be delivered through the PD Flow Meter. A typical preset arrangement consists of a Preset Valve mounted on the PD Flow Meter outlet and connected by a mechanical linkage to the preset register fitted below the PD Flow Meter counter.

DESIGN FEATURES

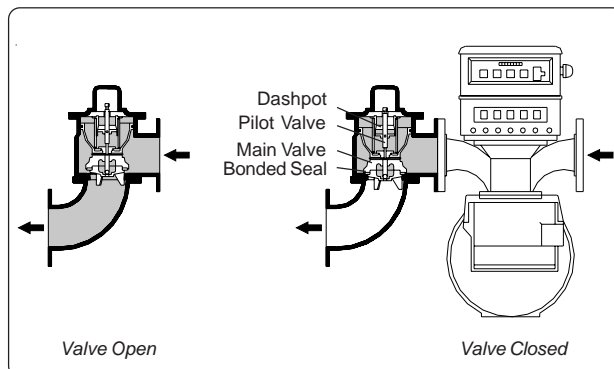
- * Compact design
- * Accurate shut-off
- * Low pressure drop
- * Emergency stop facility
- * Batch quantity upto 99,999 litres
- * Bubble tight two stage cushioned closure
- * Optional electrical preset switch for remote pump control

PRINCIPLE OF OPERATION

The Preset Valve is of a pilot operated, hydraulically actuated design, which ensures an easy opening and two stage cushioned closure. It consists of a main valve and a pilot valve. The pilot valve is connected to the preset register through an adjustable linkage.

To commence operation, the required delivery quantity is set on the preset register by the help of push buttons. The flow meter counter is reset to zero. Liquid delivery is initiated by pulling the preset handle. This actuates the linkage to move the pilot valve, which drains the pressurised liquid in the main valve causing a pressure drop across the main valve to open it.

At the end of the delivery the preset register knock-off plate gets released in two stage moving the linkage connected to it and allowing the main valve to gradually close in two stages. The rubber bonded seal fitted on the main valve ensures a bubble tight shut-off. The cushioning action of the valve is adjustable with the help of a needle valve fitted on the pilot valve cover.



APPLICATIONS

- * Road tanker and rail wagon gantry filling
- * Custody transfer and inventory control
- * Batching, blending and dispensing in petroleum, petrochemical and process control industries

SPECIFICATIONS

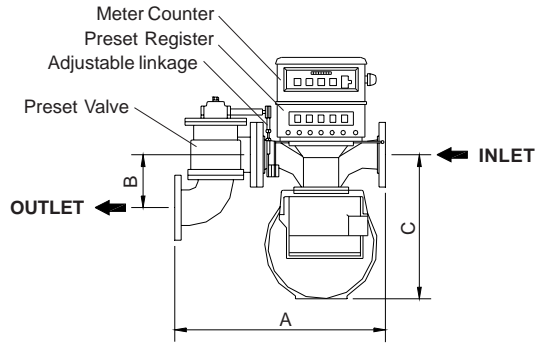
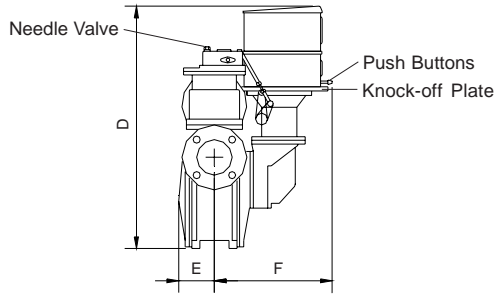
PRESET VALVE

Type	: Pilot operated, hydraulically actuated
Size	: 80 mm NB, 100 mm NB
Max. flow rate	: 1364 lpm for 80 mm (used with TL-03/04 or TLD-01/02) : 2046 lpm for 80 mm (used with TL-05/06 or TLD-03/04) : 2273 lpm for 100 mm (used with TL-07/08 or TLD-05/06)
End connections	: 150 Class, ANSI B 16.5, FF/RF
Max. working pressure	: 10.54 kg/cm ²
Temperature	: Upto 70°C
Control	: Two stage cushioned shut-down
Mounting	: At flow meter outlet

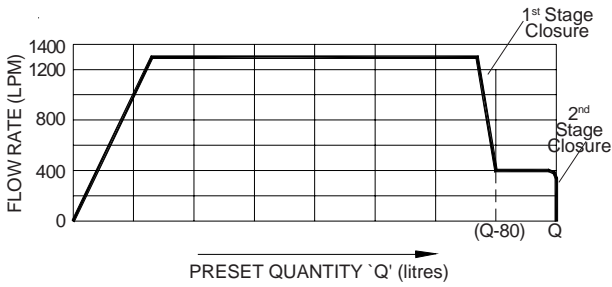
PRESET REGISTER

Type	: Veeder Root 7889
Display	: 5 digit resettable
Digit Size	: Height 12.7 mm, width 6.8 mm
Push Buttons	: Five (one for each wheel) One SET button on left side and One STOP button on right side
Control	: Mechanically linked with Preset Valve
Mounting	: On flow meter

OVERALL DIMENSIONS



GRAPH OF PRESET QUANTITY v/s FLOW RATE



SIZE NB	FOR USE WITH METER	DIMENSIONS					
		A	B	C	D	E	F
80 (3")	TL-03/TL-04 TLD-01/TLD-02	583	150	407	568	104	318
80 (3")	TL-05/TL-06 TLD-03/TLD-04	762	242	404	568	168	380
100 (4")	TL-07/TL-08 TLD-05/TLD-06	857	242	426	568	168	380

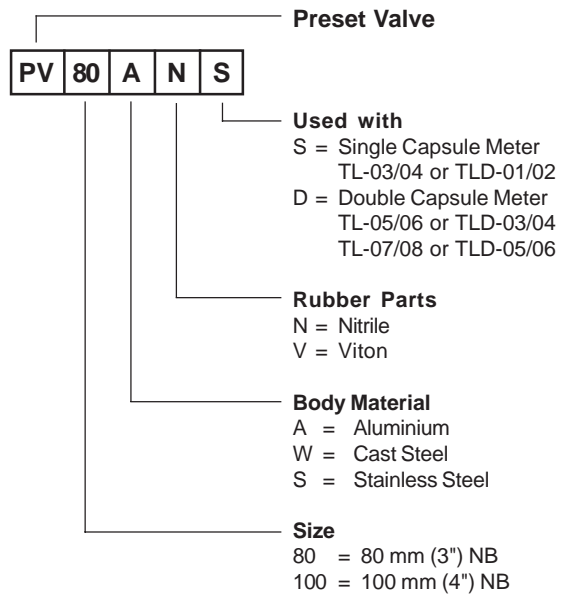
MATERIALS OF CONSTRUCTION

Valve Body : Aluminium alloy LM-25 (Standard)
Cast Steel ASTM A 216 WCB (Optional)
Stainless Steel AISI 316 (Optional)

Rubber Parts: Nitrile (Standard)
Viton (Optional)

Other Wetted Parts : Aluminium and Stainless Steel AISI 410 (Standard)
Stainless Steel AISI 316 (Optional)

MODEL DESIGNATION



* Specifications are subject to change without notice.
* All dimensions are in mm unless otherwise specified.

Pub. No. 001
Issue 1 Rev 0 06-2018

Vermont Technologies Pvt. Ltd.

Plot No. PAP-A-8/6, "A" Block, Phase IV, MIDC Chakan, Opp Mahindra Vehicle, Pune- 410501. Maharashtra, India.
Tel : (+91) 9168179461 / 9168176683
Email : ho@vermonttechnologies.co.in
Website : www.vermonttechnologies.co.in