

Flow



Flow Governors (Flow Limiting Valve)

The Flow Governor or Flow Limiting Valve is a protective device, installed downstream of the flow meter, to limit the flow rate through the flow meter to the maximum meter flow rate capacity. This becomes essential when the pump capacity is greater than capacity of the bulk meter or when a common pump is used for more than one bulk meter.

DESIGN FEATURES

- Low pressure drop
- Adjustable flow rate
- Compact and rugged construction
- A sensitive pressure differential orifice design



PRINCIPLE OF OPERATION

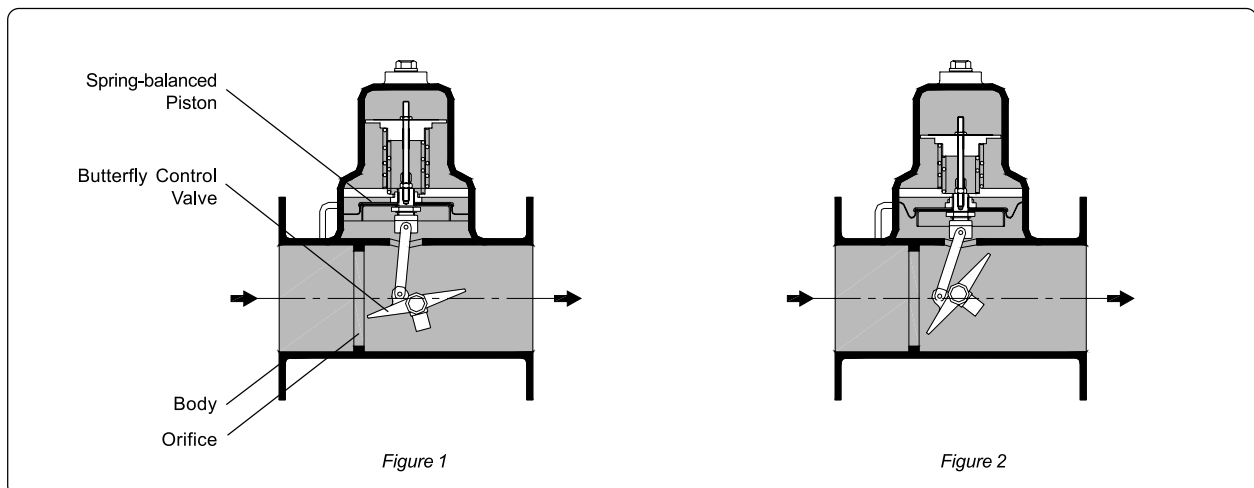
The Flow Governor consists of a body having an orifice, a spring balanced piston and a butterfly control valve. Variation in liquid flow across the orifice creates a differential pressure, which applies a downward or upward force on the piston. This in turn rotates the butterfly valve to restrict and maintain a constant rate of flow. The downward compression force on the piston is resisted by the spring tension, which is adjustable and enables accurate presetting of a constant flow rate.

APPLICATION

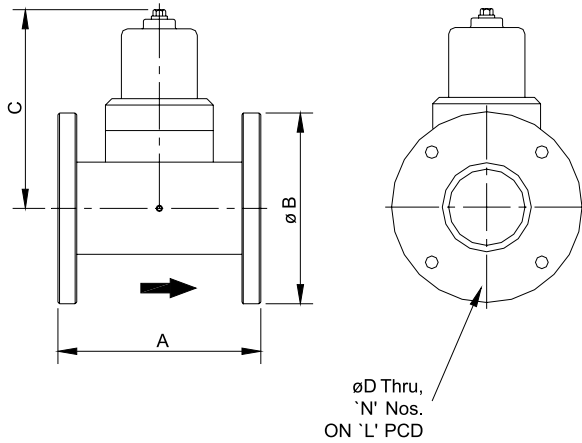
- Single pump, multi-point gantry filling
- High flow regulation for meter protection

SPECIFICATIONS

Type	: Variable area orifice
Size	: 40 mm (1½"), 80 mm (3"), 100 mm (4"), 150 mm (6")
Flow Range	: 350 lpm for 40 mm : 1500 lpm for 80 mm (used with TL-03/04 or TLD-01/02) : 2200 lpm for 80 mm (used with TL-05/06 or TLD-03/04) : 2200 lpm for 100 mm (used with TL-07/08 or TLD-05/06) : 3000 lpm for 100 mm (used with TL-09/10 or TLD-07/08) : 3000 lpm for 150 mm (used with TL-11/12 or TLD-09/10) (Flow rate setting within ±20%)
Max. Working Pressure	: 10.54 kg/cm ² (150 PSI)



OVERALL DIMENSIONS



SIZE	FOR USE WITH METER	DIMENSIONS					N
		A	B	C	D	L	
80 (3")	TL-03/04, TLD-01/02	200	191	225	19	152.4	4
	TL-05/06, TLD-03/04						
100 (4")	TL-07/08, TLD-05/06	250	229	238	19	190.5	8
	TL-09/10, TLD-07/08						
150 (6")	TL-11/12, TLD-09/10	292	280	305	22	241.3	8

*(For C35 & 40 mm, consult factory)

Temperature : Upto 70°C

End Connections : 150 Class, ANSI B 16.5, FF/RF

Mounting : Downstream of flow meter

MATERIALS OF CONSTRUCTION

Body : Cast Steel ASTM A 216 WCB
Carbon Steel (Fabricated)
Stainless Steel 316

Piston : Electroplated carbon steel

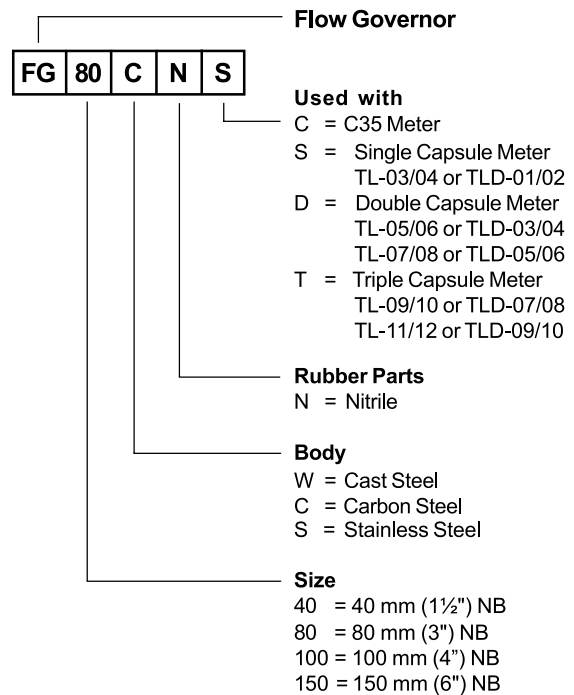
Butterfly Valve : Aluminium

Spring : Spring Steel

Other Wetted Parts : Stainless Steel AISI 410

Seals : Nitrile / Viton

MODEL DESIGNATION



- Specifications are subject to change without notice.
- All dimensions are in mm unless otherwise specified.

Pub. No. 002
Issue 2 Rev 1 12-2015

Vermont Technologies Pvt. Ltd.

Corporate Office & Operations:

Plot No: PAP- A-8/6, "A" Block, Phase IV, MIDC Chakan, Opp Mahindra Vehicle, Dist:Pune- 410501

Tel. : +91 9168179461 / +91 9168176683

Email : ho@vermonttechnologies.co.in

Website : www.vermonttechnologies.co.in