

Flow

Air Separators



Air Separators efficiently separate and release air or entrained gas from liquid products before they are metered. This is an essential requirement of any volume metering system for achieving a high measurement accuracy. It is available in horizontal and vertical mounting designs.

DESIGN FEATURES

- Rugged construction
- High venting capacity air eliminator
- Large liquid settling volume with internal baffles
- Custom suited design codes (ASME, DIN)

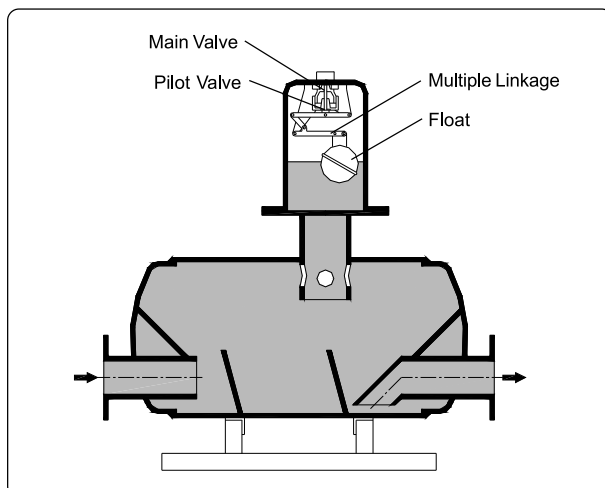
PRINCIPLE OF OPERATION

An Air Separator consists of a mild steel cylindrical tank supported on a stand. The unit has a large cross-sectional area, which slows down the flow of liquid. An internal baffle plate arrangement assists any entrained air or gas to coalesce and separate to the top of the tank, where a high venting capacity air eliminator is fitted.

The air eliminator consists of a stainless steel float connected to a pilot valve via multiple linkages. When air collects in the air eliminator, the buoyant force acting on the float reduces, the float drops down along with the pilot valve connected to the linkage and the air escapes through the main valve. As liquid rises in the air eliminator, the float rises to lift the pilot valve, thereby closing the air release opening of main valve.

APPLICATION

- Removal of entrained bulk air or vapour from the metering system pipeline.



SPECIFICATIONS

AIR SEPARATOR

Type : Baffle plate design
Sizes : 40 mm, 50 mm, 65 mm,
80 mm, 100 mm, 150 mm,
200 mm, 250 mm, 300 mm
(Choice of higher range is available)

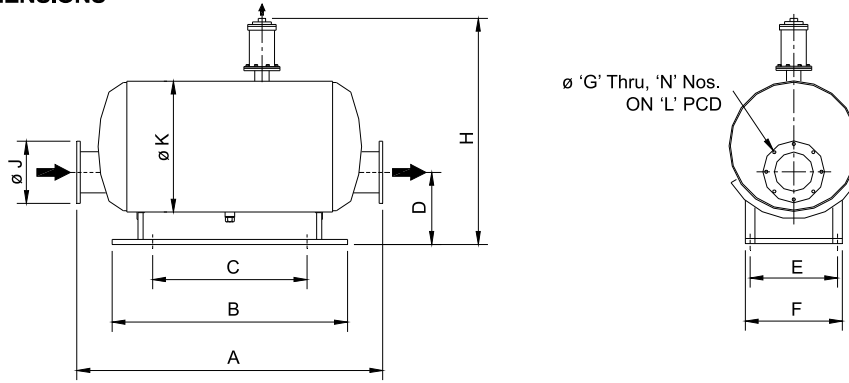
Maximum Working Pressure : 10.54 kg/cm²
(Choice of higher range is available)

Temperature : Upto 70°C
Mounting : Upstream of flow meter

AIR ELIMINATOR

Type : Float actuated pilot operated
Maximum Working Pressure : 10.54 kg/cm²
Temperature : Upto 70°C

OVERALL DIMENSIONS



Horizontal Mounting Design

SIZE	DIMENSIONS OF HORIZONTAL DESIGN											
	A	B	C	D	E	F	G	H	J	K	L	N
40 (1½")	560	420	260	200	140	200	14	770	127	250	98.4	4
50 (2")	560	420	260	200	140	200	19	770	152.5	250	120.7	4
65 (2½")	880	620	420	280	225	300	19	925	178	345	139.7	4
80 (3")	880	620	420	280	225	300	19	925	190.5	345	152.4	4
100 (4")	1170	920	620	285	325	400	19	990	228.5	450	190.5	8
150 (6")	1680	1380	1050	360	395	470	22	1210	279.5	600	241.3	8
200 (8")	2390	1830	1200	560	685	760	22	1600	343	920	298.5	8
250 (10")	2390	1830	1200	560	685	760	25	1600	406.5	1000	361.9	12
300 (12")	2390	1830	1200	560	685	760	25	1600	482.5	1000	431.8	12

MATERIALS OF CONSTRUCTION

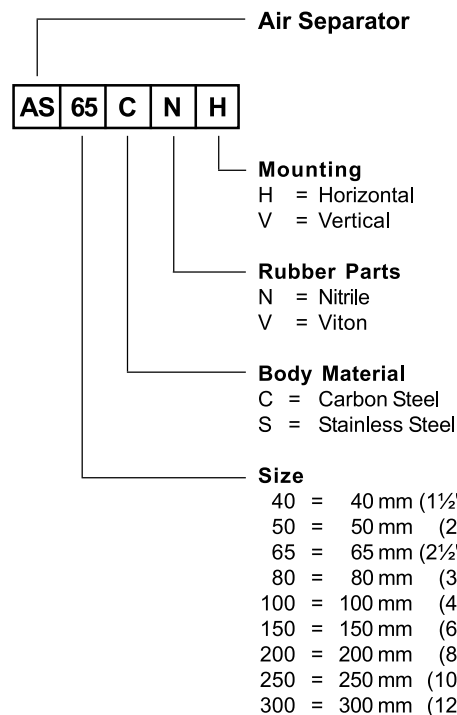
Body : Carbon Steel (Different Grades)
Stainless Steel 316

Float : SS 304

Linkages : Aluminium

Seals : Nitrile (Buna-N)
Viton

MODEL DESIGNATION



- Specifications are subject to change without notice.
- All dimensions are in mm unless otherwise specified.

Pub. No. 002
Issue 2 Rev 1 12-2015

Vermont Technologies Pvt. Ltd.

Corporate Office & Operations:

Plot No: PAP- A-8/6, "A" Block, Phase IV, MIDC Chakan, Opp Mahindra Vehicle, Dist:Pune- 410501

Tel. : + 91 9168179461 / +91 9168176683

Email : ho@vermonttechnologies.co.in

Website : www.vermonttechnologies.co.in